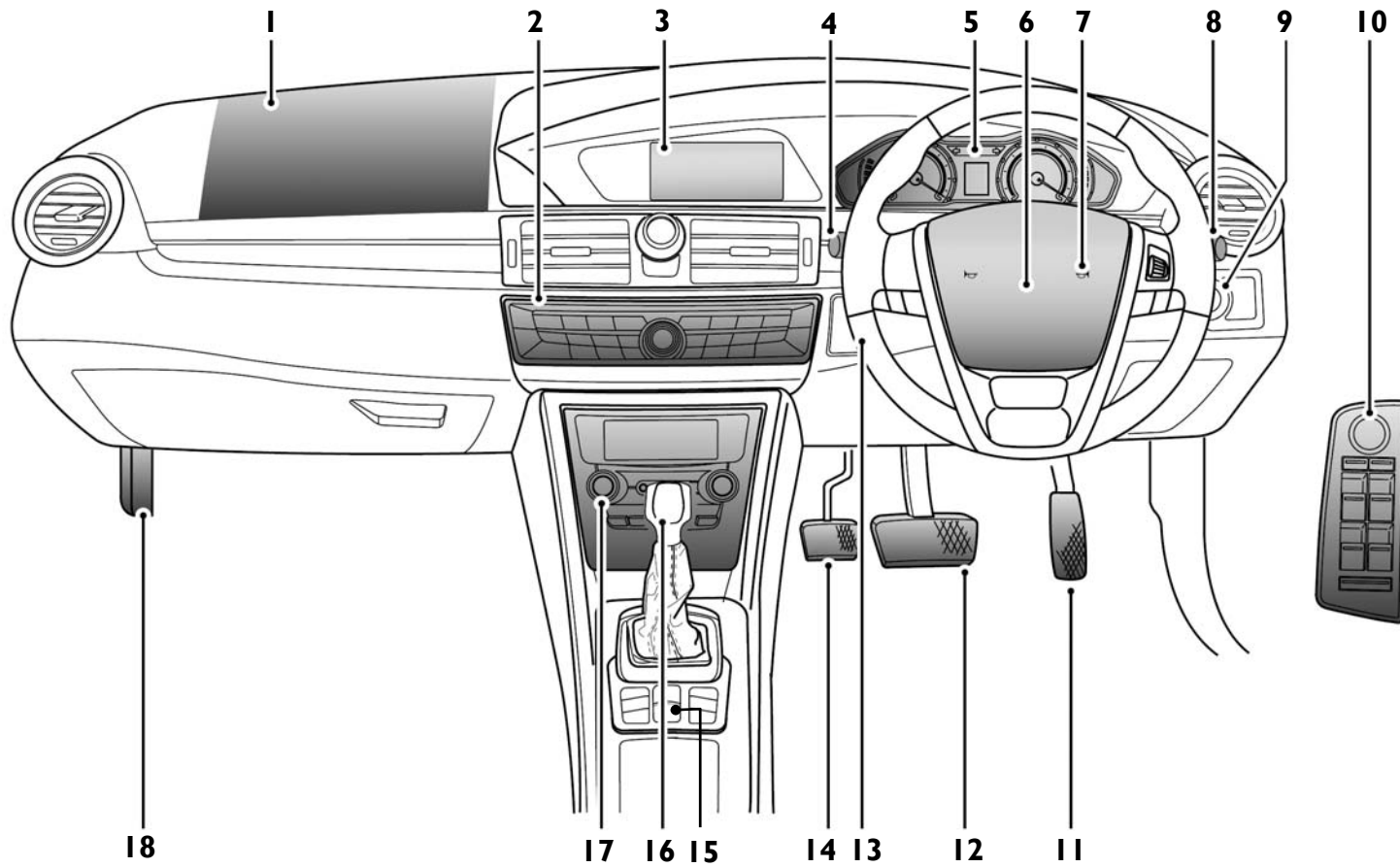
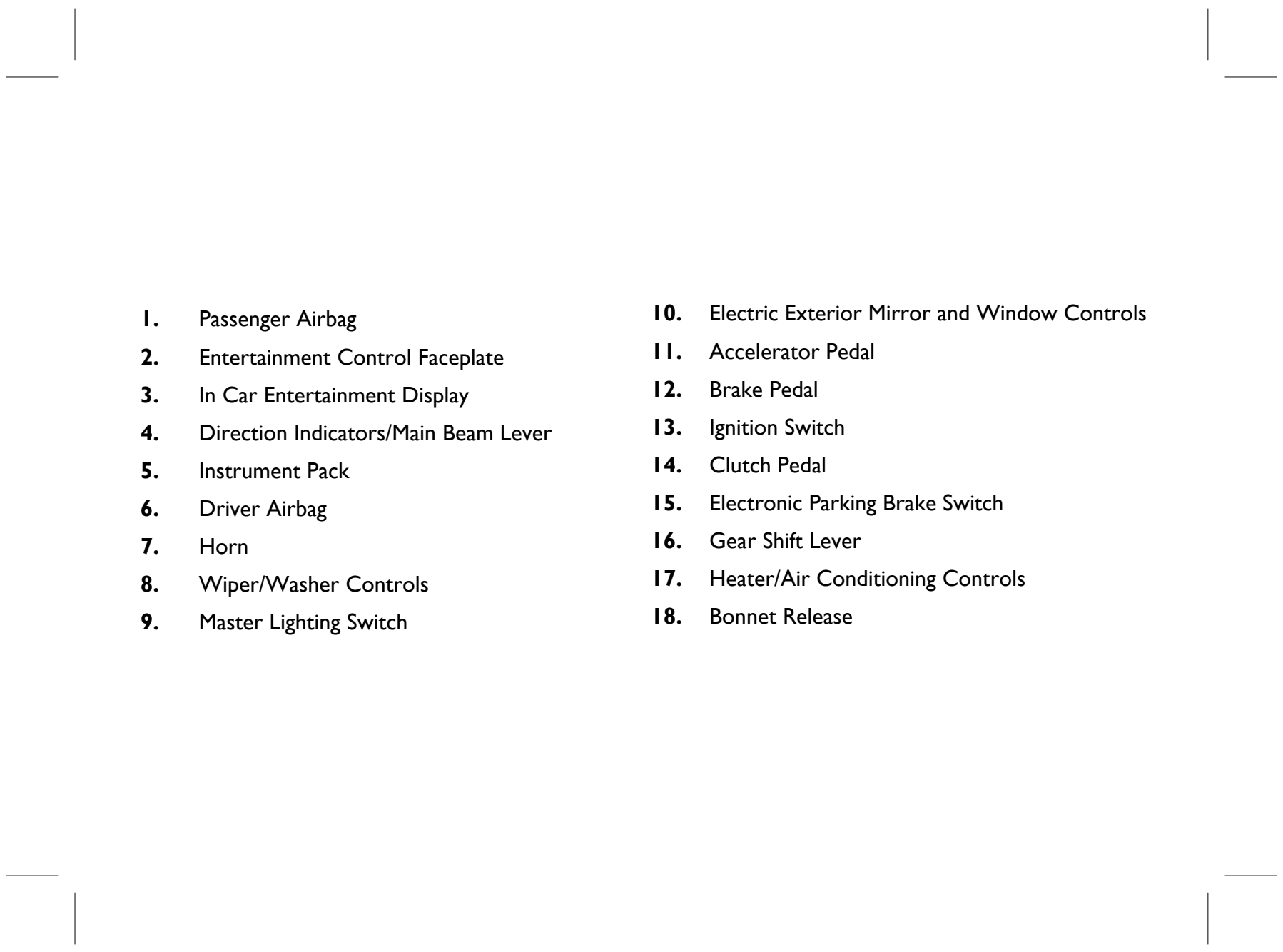
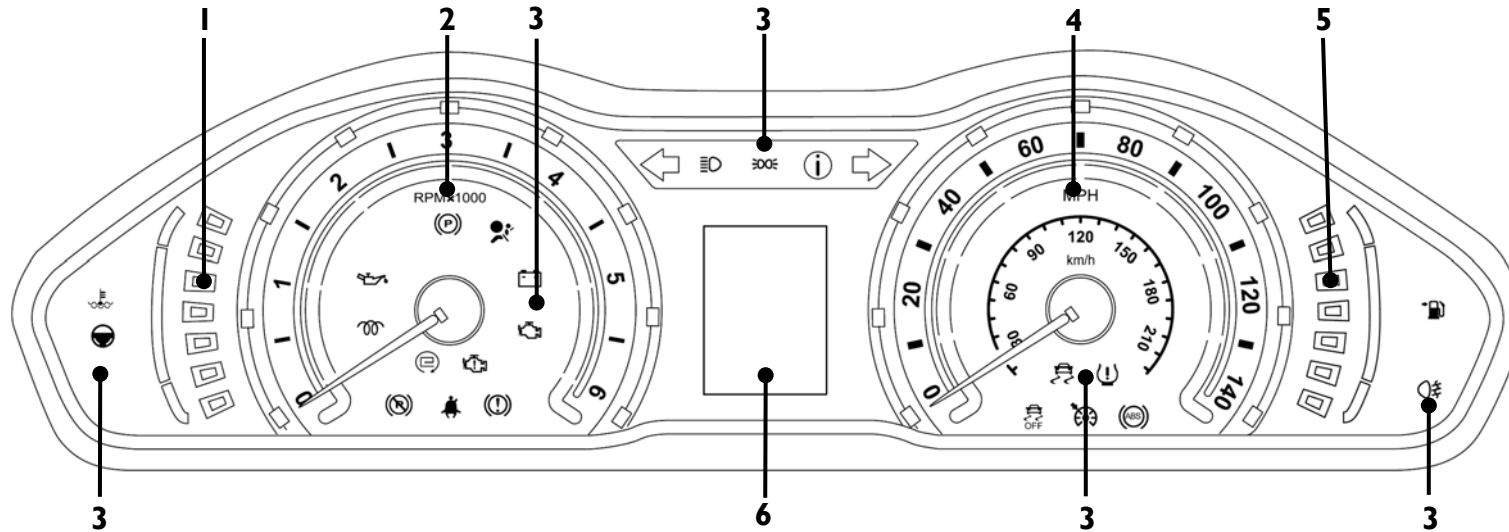


## Interior Layout



- 
- 1.** Passenger Airbag
  - 2.** Entertainment Control Faceplate
  - 3.** In Car Entertainment Display
  - 4.** Direction Indicators/Main Beam Lever
  - 5.** Instrument Pack
  - 6.** Driver Airbag
  - 7.** Horn
  - 8.** Wiper/Washer Controls
  - 9.** Master Lighting Switch
  - 10.** Electric Exterior Mirror and Window Controls
  - 11.** Accelerator Pedal
  - 12.** Brake Pedal
  - 13.** Ignition Switch
  - 14.** Clutch Pedal
  - 15.** Electronic Parking Brake Switch
  - 16.** Gear Shift Lever
  - 17.** Heater/Air Conditioning Controls
  - 18.** Bonnet Release

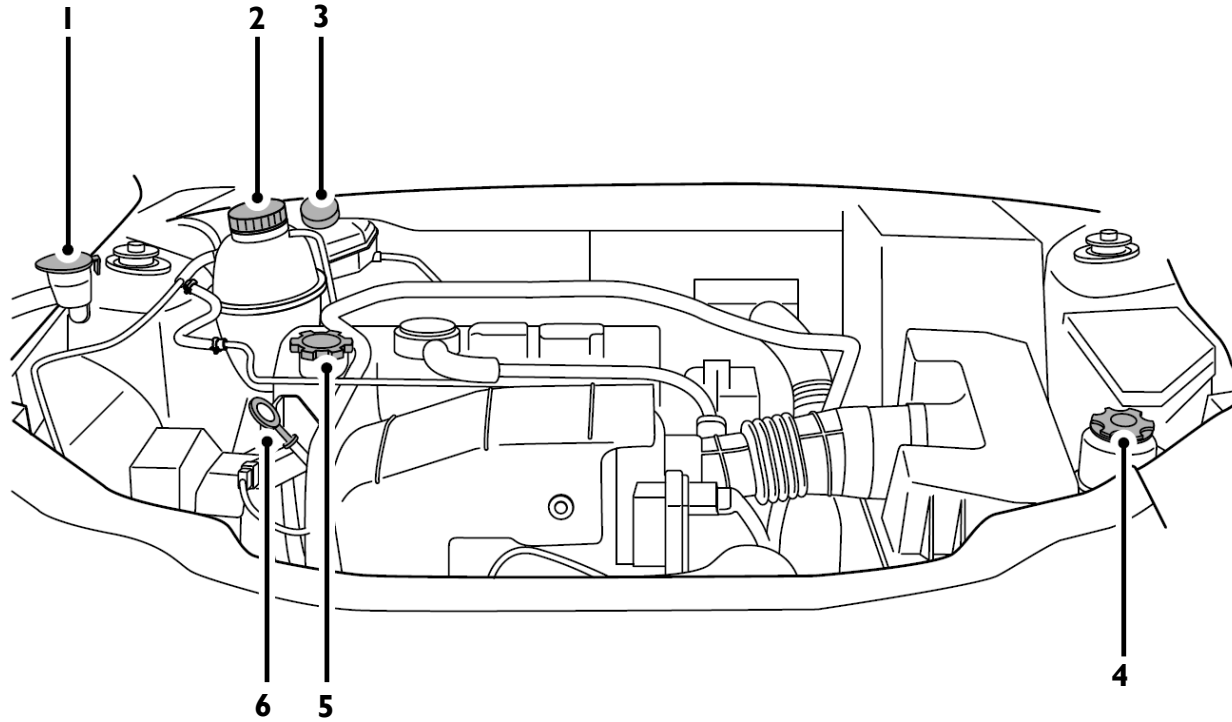
## Instrument Pack



1. **Engine Temperature Gauge** - Engine temperature is indicated by the number and colour of segments illuminated.
2. **Tachometer** - Indicates engine speed in revolutions per minute x 1000
3. **Instrument Panel Warning Lamps**
4. **Speedometer** - Indicates road speed in miles and kilometres per hour
5. **Fuel Gauge** - The quantity of fuel in the tank is indicated by the number of segments illuminated.
6. **Information Centre Display** - Warnings, trip computer and driver information is communicated via this display.

Please consult Owners Handbook for detailed warning light description and function

## Underbonnet Locations



1. Washer reservoir (blue cap)

2. Cooling system reservoir (black cap)

3. Brake reservoir (black cap)

4. Power steering reservoir (black cap)

5. Engine oil filler (yellow cap)

6. Engine oil dipstick (yellow)

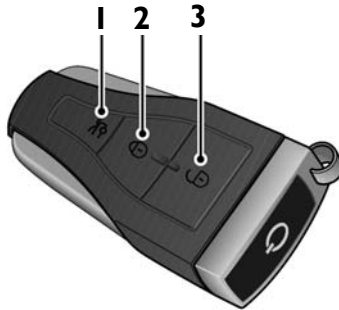
## Recommended Fluids, Capacities and Pressures

Engine Oil	C3 5W-30	4.9 Litres
Engine Coolant	Glycol (OAT )	7.6 Litres
Transmission Fluid	MTF 94	2.5 Litres
Brake Fluid	DOT 4	0.55 Litres
Power Steering Fluid	Pentosin CHF202	1.1 Litres
Washer Fluid	Qx35	3.8 Litres
Air Conditioning Refrigerant	R134a	460±25 grams

### Tyre Pressures (cold)

Front	2.2 bar (32 psi)
Rear	2.2 bar (32 psi)

## Remote Key, Ignition Switch and Starting



1. Tailgate release button
2. Lock button
3. Unlock button

### Position I (1)

- The key can be inserted or removed.
- Steering unlocked - in some cases gentle turning of the steering wheel may be required.
- Individual electrical equipment and accessories can now be operated, e.g. electric windows, electric mirrors etc.

### Position II (2)

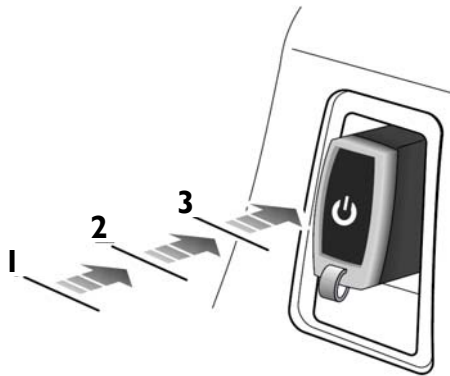
- All instruments, warning lights and electrical circuits are operational.

### Position III (3)

- Start engine. When the engine is starting, some electrical equipment will be isolated during cranking.

### Handset removed

- Steering wheel is locked
- Sidelights and hazard warning lights will operate.



**Note: To stop the engine and remove the handset, first press to position 3 to stop the engine, release the handset to turn the ignition off and remove the handset from the docking station.**

Please consult Owners Handbook for detailed starting description and function

## Electronic Parking Brake

### Applying the Electronic Parking Brake

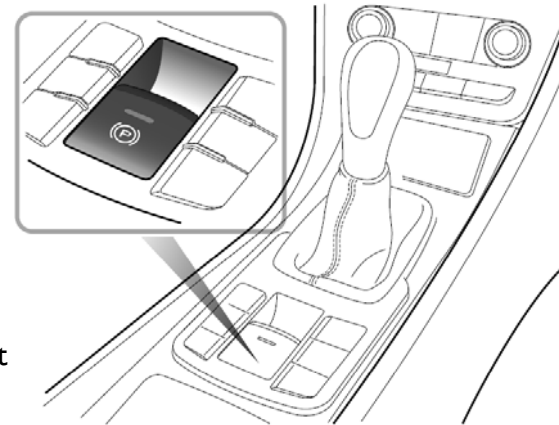
Whilst the vehicle is stationary, the EPB can be applied with the ignition key removed or in any docked position.

Ensure the EPB is applied every time the vehicle is left or parked.

Pull the EPB switch upward until the indicator within the EPB switch illuminates.

Simultaneously, the EPB indicator will illuminate in the instrument pack. When both lamps are illuminated it indicates that the EPB is applied.

If the EPB failure warning lamp in the instrument pack illuminates, a fault has been detected. Contact an MG Authorised Repairer immediately.



### Releasing the Electronic Parking Brake

With the ignition in position II (2), press the brake pedal and press the EPB switch.

If the EPB warning lamps in the switch and the instrument pack are extinguished, the EPB is switched off (released).

The EPB can predict the driver's intention and automatically release the EPB.

If the driver's seat belt is fastened, clutch pedal fully pressed, forward or reverse gear selected and the clutch pedal lifted whilst pressing the accelerator the EPB will automatically release.

Please consult Owners Handbook for detailed Electronic Parking Brake description and function

## Multi Function Steering Wheel Controls



- + increase the system volume
- - decrease the system volume
- SRC to switch between available multimedia audios in cycles.

1. Cruise system thumbwheel: Set, Increase or Decrease
2. Cruise system Resume/Suspend Switch
3. Cruise system Master Switch
4. Audio system Mute

